



Salina Area Chamber of Commerce
120 W. Ash / PO Box 586, Salina, KS 67401
Phone: (785) 827-9301 FAX (785) 827-1081 Cell: (785) 493-5300
E-mail: tbenien@salinakansas.org Website: www.SalinaKansas.org

DATE: November 2022
TO: KSHSAA 2A State Football Coaches and Administration
Kingman: Coach Tanner Hageman, Principal Andy Albright, AD Roland Van Wyhe
Seneca-Nemaha Valley: Coach Michael Glatczak, Principal Ben Scism, AD Jessica Koch
CC: Mark Lentz, Brent Unruh, Fran Martin, Jeremy Holaday KSHSAA
Kevin Rittel, - USD #305 – Salina Stadium
Team/Officials Hosts – Jerry & Nancy Lonergan, Larry & Stephanie Hettenbach
Pass Gate Leads – Dave & Jan Miller, JJ O'Connor, Joyce Volk
Security – AV Plank
FROM: Tiffany Benien, Sports and Events Manager
RE: 2A State Football Game Day

Congratulations! Qualifying for the KSHSAA 2A State Football Championship Game, November 26, 2022 at Salina Stadium is a great accomplishment and we're looking forward to your arrival. As we approach Saturday's championship play, please review the KSHSAA 2022-2023 Football Manual and Postseason Protocol Information. As participants in this event, you need to be familiar with rules and regulations. The following is a "checklist" to assist you with preparing for Game Day, as well as to highlight some specific KSHSAA policies.

Please note the following as directed by KSHSAA.

- The top team on the bracket, **Seneca-Nemaha Central** is designated as the *visiting team* and will wear *light* colored jerseys. The Visiting team warm-up will be on the North end of the field. Visiting team seating is designated on the East side of Salina Stadium.
- The bottom team on the bracket **Kingman** is designated as the *home team* and will wear *dark* colored jerseys. The Home team warm-up will be on the South end of the field. Home team seating is designated on the West side of Salina Stadium.

Pass Gate

The Pass Gate list will be strictly adhered to on game day. Please e-mail your Pass Gate Form (KSHSAA Form) & high-resolution mascot logo no later than Monday, November 21, 2022 to:

E-mail: tbenien@salinakansas.org

Subject: 2A State Pass Gate & Logo

The logo will be used on the stadium video display.

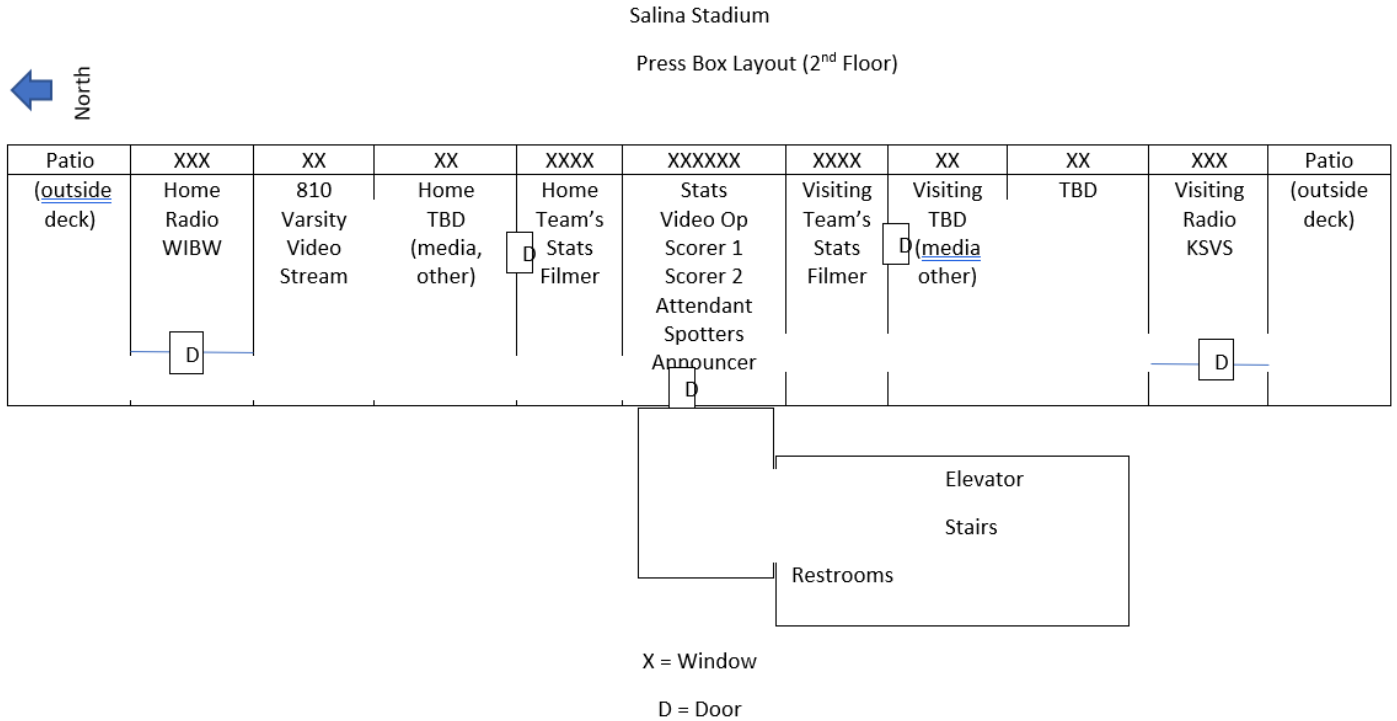
(The pass gate should match the form that you submit to KSHSAA.)

Teams and Coaches' Time schedule

- 10:30 AM - Teams allowed access to locker rooms
- 11:00 - Gates open to ticket holders
- 11:30 - Teams allowed access to field with game ball
 - Pre-Game Meeting with Coaches, & Administrators
 - Located underneath west stadium seating in meeting room on north end (see map)
- 12:30 - Team Introductions (NO line-up on field) but players continue with warm-up or can go to locker (Time TBD gameday)
- 12:45 - Officials Recognition if any
- 12:50 - Players Take the Field
- 12:51 - Officials Recruitment Video
- 12:53 - National Anthem
- 12:55 - Officials Introductions
- 12:56 - Coin Toss
- 1:00 - Kick-off

Field communications systems, towels, storage lockers and equipment, etc. will NOT be provided by the site, we ask that you provide your own. Wilson has provided a game ball that will be given to coaches at the 11:30am meeting. Teams may opt to use the ball provided or bring their own, but all game balls must be **Wilson NFHS** approved. The stadium surface is synthetic grass. Sideline heaters will not be permitted in the stadium. Regular football cleats are appropriate.

Access to the press box will be limited. Each team will be allowed 1 radio station unless otherwise arranged. 810 Varsity will be live streaming the game. Game administration will be given preference followed by team staff, then media all based on space available. Some outside space is available. See map below.



Any banners or signs to be displayed must meet the approval of the event manager. You are responsible for removing all signs following the game. Please avoid blocking the vision of other fans. Confetti, whistles, air horns or other noisemakers will not be allowed! In addition, Sunflower seeds and peanut shells will not be permitted in the facility. Please refer also to KSHSAA's policy regarding artificial noisemakers.

Presentation of Awards

Teams will meet and face each other on their warm-up side of the field. Each Coach will be presented with a team trophy, which he may present to his players, the coach will then receive the player medals, and he may distribute the medals on the field or later. Fans will not be permitted on the field; however, pictures may be taken on the north endzone of the field following the awards presentations.

Performance Groups

If your school would like to present the National Anthem, please let us know immediately. The home team has first option to do so, but will need to contact me by Monday, November 21. If the home team declines, the visiting team will be given the opportunity, or other arrangements will be made.

Please contact me immediately if your marching band or drill team wants to perform at halftime. Each participating school will be given an opportunity to perform, with a **strict eight-minute time limit** enforced for each group. The eight minutes must include getting on and off the field. You will be responsible for providing any audio equipment, etc, that is required for the performance. Music played through the press box sound system and any script to be read by the announcer will need to be **submitted to the press box by noon on game day**. Please note that you must have music for your performance on either an iPod, smart phone or mp3 player with audio jack/dongle to be played on the sound system. If both teams provide a half-time performance, half-time will be 20 minutes instead of 15 minutes.

Game Tickets & Fans

Fan Gates will open at 11:00AM. Visiting Team fans will sit on the East side of the stadium. Home Team fans will sit on the West side of the stadium.

Tickets will be sold digitally via the GOFAN app, **AND** on game-day cash on-site at Salina Stadium. For fastest access to tickets and admission on game day, we encourage attendees to buy on-line. A QR Code for purchasing digital tickets, and a link to share with fans will be sent soon. Two key messages to share with digital purchasers are to 1.) Have your tickets pulled up on your device before you get to the gate, and 2.) do NOT redeem the tickets until you are instructed by a gate attendant at Salina Stadium admission gate.

Concessions

Food Concessions and Championship Shirts and Programs will be available on-site.

Facility Info and Enclosures

Following are directions and a map of the facilities at Salina Stadium, which includes designated parking areas, tailgate areas and locker room locations and directions. More information about Salina can be found at www.SalinaKansas.org

Salina is looking forward to a fun and exciting Saturday! Please contact me if you have questions. Again, congratulations on qualifying to play in the State Championship. See you in Salina!

Sincerely,



Tiffany Benien, Sports
Visit Salina / Salina Area Chamber of Commerce
tbenien@salinakansas.org cell: (785) 493-5300

Directions to Salina Stadium - 650 E. Crawford, Salina KS 67401

From I-70

FANS: Take the Ohio Street Exit (Exit 253). Turn south onto Ohio, continue to Crawford Street. Turn west (right) onto Crawford and continue to Roach Street, turn south (left) onto Roach, then right (west) onto McAdams and then right again into the South Parking Lot of Salina Stadium and Central High School.

BUSSES: Take the Ohio Street Exit (Exit 253). Turn south onto Ohio, continue to Crawford Street. Turn west (right) onto Crawford. You can enter from Crawford Street via Salina Central High School; *OR turn south (left) on Roach. Head south for one block to McAdams. Turn west on McAdams (right), enter the main parking lot from McAdams Street.*

From I-135

FANS: Take the Crawford Street Exit (Exit 92). Turn East onto Crawford, continue on Crawford to Roach Street, turn south (right) onto Roach, then right (west) onto McAdams and then right again into the South Parking Lot of Salina Stadium and Central High School.

BUSSES: Take the Crawford Street Exit (Exit 92). Turn East onto Crawford. You can enter from Crawford Street via Salina Central High School; *OR south (right) on Front Street. Head south for one block, turn east (left) on McAdams, entering from McAdams Street.*

1. Team Bus Parking
2. Home Locker Rooms
3. Officials Locker Room
4. Visitor Locker Rooms
5. Admission Gates
6. Pass Gate
7. Overflow/
Crawford Street Parking
8. Public Parking, Fan Bus &
Tailgate Area



Game Tickets & Fans

Fan Gates will open at 11:00AM. Visiting Team fans will sit on the East side of the stadium. Home Team fans will sit on the West side of the stadium.

Tickets will be sold digitally via the GOFAN app, **AND** on game-day cash on-site at Salina Stadium. For fastest access to tickets and admission on game day, we encourage attendees to buy on-line.

A QR Code for purchasing digital tickets, and a link to share with fans will be sent soon. Two key messages to share with digital purchasers are to 1.) Have your tickets pulled up on your device before you get to the gate, and 2.) do NOT redeem the tickets until you are instructed by a gate attendant at Salina Stadium admission gate.